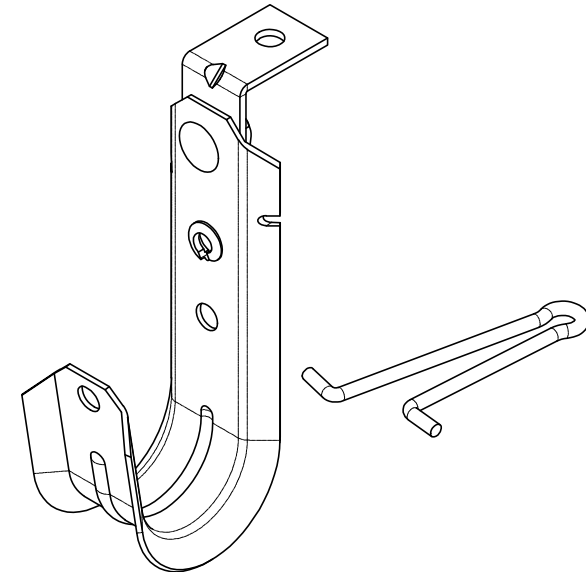
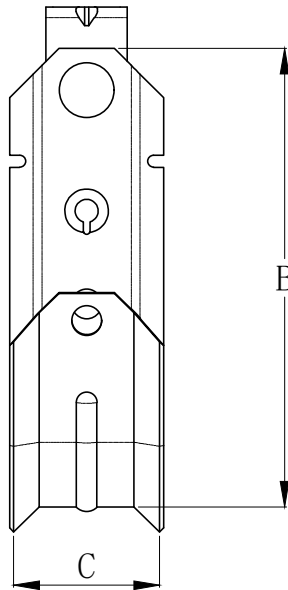
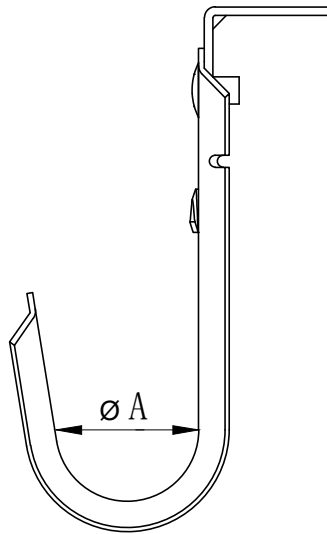
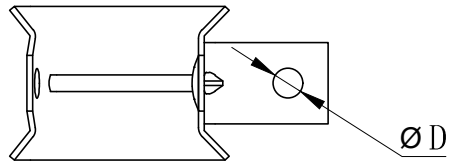
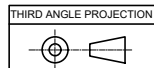


Catalog Number	B	C	ΦD	Diameter(ΦA)	Cable capacity Cat 6/Cat 5e/Fiber Optic	Static Load(F)	Standard Box Quantity	Retaining Clip
CMJH-34-50P	79.3 [3.12]	22.0 [0.87]	1/4"	3/4"	10/16/16	60LBS	50	Not Included
CMJH-1516-50P	107.3 [4.22]	34.1 [1.34]	1/4"	1-5/16"	30/50/50	60LBS	50	Included 1-5/16"
CMJH-2-50P	118.0 [4.65]	35.0 [1.38]	1/4"	2"	50/80/80	60LBS	50	Included 2"



NOTES:

1. Material: J HOOK: Pre galvanized steel (G60) , Thickness: 1.20mm [0.047] .
Angle Bracket: Pre galvanized steel (G60) , Thickness: 2.0mm [0.079];
2. Wire retainer available



MATERIAL	Pre galvanized (G60)
FINISH	NO OIL

	NAME	DATE
DRAMN	YUAN	2022. 8. 17
CHECKED		
APPROVED (A)		
APPROVED (Customer)		

LANshack
Sales@LANshack.com | 888-568-1230

TITLE	3/4, 1-5/16, and 2 Inch Ceiling Mount Galvanized Steel J-Hooks for Cable Support & Wire Management - 50 Pack	
-------	--	--

SIZE	DWG NO.	REV
A4	CMJH-XX-50P	
SCALE: 1:1	PRINT DATE	REFERENCES
		SHEET 1 OF 1